

Manual

Digital I/O Extender Sets



Type	17633 17634, 17635
Release	1.3

© 05/2015 by Wiesemann & Theis GmbH

Subject to error and alteration:

Since it is possible that we make mistakes, you mustn't use any of our statements without verification. Please, inform us of any error or misunderstanding you come about, so we can identify and eliminate it as soon as possible.

Carry out your work on or with W&T products only to the extent that they are described here and after you have completely read and understood the manual or guide. We are not liable for unauthorized repairs or tampering. When in doubt, check first with us or with your dealer.

Although the low bandwidth and large voltage swing of digital I/O signals make them essentially less sensitive to external noise than for example serial data signals, in some case the operating conditions necessitate transmission procedures which are completely resistant to noise effects along the transmission line.

Glass fibers used as a transmission medium meet these requirements ideally while also offering the advantage of galvanic isolation up to virtually any level between the connected devices. In installations which are subject to the risk of severe weather conditions, such as in outdoor locations or between distant buildings, such a solution ensures a permanently reliable connection even under adverse conditions.

Wiesemann & Theis offers a whole family of various glass fiber interfaces which allow conversion of standard interfaces into an optical interface for connecting glass fiber cable.

The W&T Digital-I/O Extender Sets, which carry the digital I/O signals over glass fiber optic cable using a multiplexing procedure, are described on the following pages along with the technical data and connection examples.

Up-to-date information about new product developments can be found in the Internet at <http://www.wut.de> or in the e-mail updates from the W&T Interface Club, which you can sign up for on the W&T homepage.

Table of Contents

Digital-I/O Extender Set 2x2, MM ST, Model 17633 33
 Function33
 Power Supply and Galvanic Isolation33
 Housing.....34
 Glass Fiber Interface and Digital-I/O Port34
 Terminal Assignments35
 Supply Voltage Input.....35
 Digital Inputs36
 Digital Outputs37
 Cable break behavior38
 Technical Data39

Digital-I/O Extender Set 8x8, MM ST, Model 17634 41
 Function41
 System security.....41
 Power Supply and Galvanic Isolation42
 Housing.....42
 Glass Fiber Interface and Digital-I/O Port43
 LEDs and terminations44
 Supply Voltage Input.....44
 Digital Inputs45
 Digital Outputs46
 Cable break response47
 Technical Data48

Digital-I/O Extender Set 8x8, SM SC, Model 17635 49
 Function49
 System security.....49
 Power Supply and Galvanic Isolation50
 Housing.....50
 Glass Fiber Interface and Digital-I/O Port51
 LEDs and terminations52
 Supply Voltage Input.....52
 Digital Inputs53
 Digital Outputs54
 Cable break response54
 Technical Data55

Digital-I/O Extender Set, Model 17633**Function**

The W&T Digital-I/O Extender Set, Model 17633 enables sending of digital I/O signals bi-directionally over a glass fiber optic cable.

The set consists of two digital-I/O <> glass fiber optic converters and supports two I/O channels in each direction. A special communications protocol between the converters is used for transmitting over the glass fiber optic cable, so that the converters can only be used in pairs.

Power Supply

The signal converters are powered by an integrated switched regulator. This regulator has a variable input voltage range and enables powering of the converters by using any DC or AC voltage between 12 and 24 volts. The supply voltage is reverse polarity protected and can be implemented on the underside of the converters using the included plug-in 2-pole screw terminal.

Galvanic Isolation

Within the signal converters the I/O connections are galvanically isolated from the supply voltage up to min. 1000 V using a DC/DC converter. The level of galvanic isolation between the two converters and thereby between the I/O terminal points is determined primarily by the length of the glass fiber optic cable used.

Housing

The Digital-I/O <> glass fiber optic are integrated inside a housing for mounting on DIN rails. To configure the cable break behavior you must open the Interface housing so that the DIL switches on the Digital-I/O Interface Module are accessible. To do this, slide the housing cover with the attached circuit board out of the housing body by grabbing the ST connector.

Glass Fiber Interface

Common ST connectors are used for connecting the glass fiber optic cable. A version with SMA connectors is also available as a special on request.

The light used for data transmission has a wavelength of 820 nm. Common 50/125 μm or 62,5/125 μm multimode duplex glass fiber optic cable is used, which thanks to its wide use in networking is easily available and inexpensive. This means that even existing glass fiber optic sections which are intended for use in networks can be used for sending digital signals. Depending on the attenuation factor of the glass fiber optic cable used, data transmission over distances of up to 3800 meters is possible.

Digital-I/O Port

The Digital-I/O Port is configured as a plug-in 3.5mm terminal block so that the connected in- and outputs can be disconnected from the signal converter at any time without having to unscrew anything.

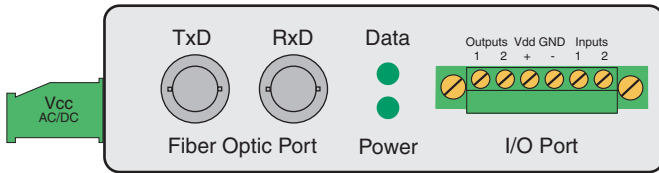
All digital inputs use overvoltage-rated components to protect against transients which exceed the permissible input voltage of the inputs.

Driver chips are used for the digital outputs which provide integrated protection against short circuit, overload and thermal destruction.

LEDs and Terminal Assignments

The converter features two LED's, with the *Power* LED indicating correct supply voltage. The *Data* LED is not connected.

The configuration of the signal and supply terminals and the pin configuration of the interfaces can be found on the device label as well as in the following illustration:



Supply Voltage Input

The supply voltage is connected to the screw terminals on the underside of the housing.

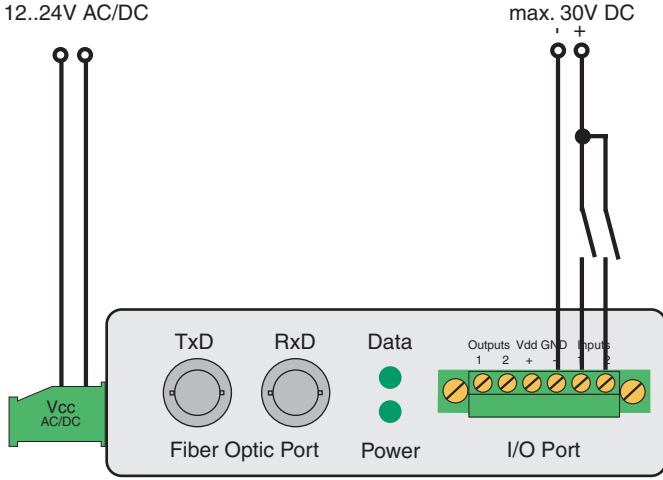
Any desired voltage of 12V to 24V can be used for power. Since the signal converters can be operated with DC or AC voltage, no special precautions are necessary with respect to the polarity of the supply voltage.

The *Vdd* terminal on the front side supplies only the switching outputs and must be connected to a DC voltage.



Digital Inputs

The basic wiring of the inputs for the Digital-I/O Extender Set can be seen in the following illustration:

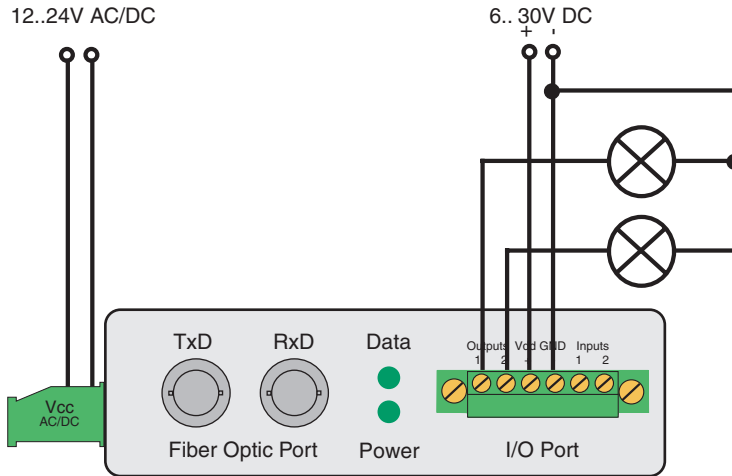


The digital inputs of the Digital-I/O Extender Set 17633 are „Type 3“ according to IEC 61131-2 and have a maximum input voltage of 30V with respect to the device reference ground.

The lines to the digital inputs should not be longer than necessary.

Digital Outputs

The basic wiring of the switching outputs for the Digital-I/O Extender Set can be seen in the following illustration:



The two digital outputs of the Digital-I/O Extenders are current sourcing. The supply voltage for the outputs may be between +6 V and +30 V DC and is provided at terminals Vdd and GND.

Each of the outputs can switch a maximum current of 0.5A. If loads with an inductive component (e.g. relays, contactors, solenoids etc.) need to be switched, the outputs must be additionally protected using recovery diodes.

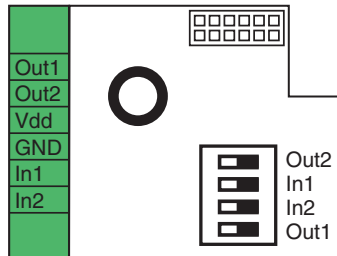
The outputs have thermal overload protection and are short circuit protected. In the OFF state a very low current of approx. 10µA is used to check whether the outputs are switched to a load. If LEDs are connected to the outputs, this can result in a slight glow even in the rest state.

When sizing the output voltage supply, the required current must always be taken into consideration. If the selected voltage for supplying the loads varies between 12V and 24V DC, the signal converter and the switched loads can be supplied from the same source.

Cable break behavior

Should the glass fiber connection be interrupted or if the glass fiber cable is not connected, the default response is for all digital outputs to go directly to the *Off* state. A different response can be configured individually for each channel using DIL switches inside the unit. Simply set the DIL switches for the corresponding in- and outputs in both Digital-I/O <> Glass Fiber converters to *ON*. The names of the DIL switches *In1*, *In2*, *Out1* and *Out2* can be found on the circuit board near the switch.

To change for example the cable break behavior of the first I/O channel, set DIL switch *In1* on the first interface AND DIL switch *Out1* on the second interface to *ON*. Now when there is a cable break or the glass fiber cable is disconnected, the output goes directly to the *ON* state.



In this way each of the four channels can be configured individually as desired.

Note: Changing the setting of a DIL switch on only one interface causes the signal to be sent inverted. When voltage is present on the input the corresponding output is turned off.



Technical Data

Transmitted signals:	2x Digital In, 2x Digital Out
Digital-I/O connector:	6-pin plug-in screw terminal
Digital outputs:	2 outputs, 6V-30V, 0.5A, Short circuit protected
Digital inputs:	2 inputs acc. to IEC61131-2, type 3
Input voltage:	max. 30V
Signal delay:	Input to output: max. 250µs
Glass fiber connector:	ST connectors (SMA on request)
Fiber medium:	Duplex multimode glass fiber cable
Transmitter type:	LED
Wavelength:	820 nm
Optical budget:	50/125µm: typ. 9.6dB, min. 4,2dB 62.5/125µm: typ. 13.4dB, min. 8.0dB
Maximum distance:	50/125µm: typ. 3200m, min. 1400m @3dB/km 62.5/125µm: typ. 3800m, min. 2200m @3.5dB/km
Supply voltage:	12..24 V AC/DC
Current draw:	max. 150 mA at 12 V DC
Isolation:	min. 1 KV between digital-I/O and supply voltage
Temperature range:	Storage: -40..+70°C Operating: 0..+60°C
Humidity range:	5..90% rH (non condensing)
Life expectancy:	> 25 years (@25°C ambient temp.)
Housing:	Plastic housing for DIN rail mount
Dimensions:	105x75x22,5 mm
Weight:	approx. 250 g
Scope of delivery:	1x Digital-I/O Extender Set 2x2 Multimode ST

Digital-I/O Extender Set 8x8, Model 17634**Function**

The W&T Digital-I/O Extender Set 8x8, Model 17634 enables sending of up to 16 digital I/O signals over a glass fiber optic cable.

The set consists of two digital-I/O <> glass fiber optic converters and supports eight I/O channels in each direction. A special safety communications protocol between the converters is used for transmitting over the glass fiber optic cable, so that the converters can only be used in pairs.

System security

The W&T Digital-I/O Extender Set 8x8 is a full hardware implementation, so that the risk of a malfunction caused by hidden firmware errors or a system crash is precluded.

The functionality of the glass fiber optic connection is cyclically monitored. The status of the connection is indicated by an LED and by a signal on a switching output.

In addition, the default status of the digital outputs should the fiber optic line fail can be individually configured for each output.

Power Supply

The converters have a common power supply for the interface electronics and the digital outputs. The electronics is supplied by an integrated switching regulator with a wide-range input, so that the device can be operated at any desired voltage between 8 and 30V DC. AC powering is not possible. The supply voltage is brought to the front-mounted 6-pin plug-in panel connector on terminals Vdd and GND.



Galvanic isolation

The amount of galvanic isolation between the two converters and thereby between the I/O end points is determined solely by the length of the fiber optic cable and the interface supply voltage.

Housing and arrangement of the operating elements

The W&T Digital-I/O <> Fiber Optic Converters are housed in a 45mm wide plastic enclosure for mounting on DIN rails. All connectors and LEDs are located on the front panel of the units so that they are accessible when installed. The DIP switches for configuring the default state upon cable break is located on the top of the unit and can be set without opening the housing.

Glass Fiber Interface

Common ST connectors are used for connecting the glass fiber optic cable. A version with SMA connectors is also available as a special on request.

The light used for data transmission has a wavelength of 820 nm. Common 50/125 μm or 62,5/125 μm multimode duplex glass fiber optic cable is used, which thanks to its wide use in networking is easily available and inexpensive. This means that even existing glass fiber optic sections which are intended for use in networks can be used for sending digital signals. Depending on the attenuation factor of the glass fiber optic cable used, data transmission over distances of up to 3800 meters is possible.

Digital-I/O Port

The Digital-I/O-Port is configured as a plug-in 3.5mm terminal block so that the connected in- and outputs can be disconnected from the signal converter at any time without having to unscrew anything.

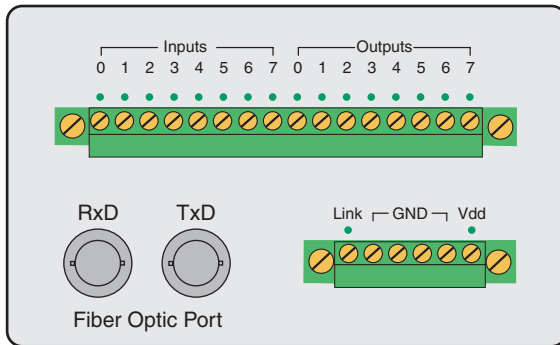
All digital inputs use overvoltage-rated components to protect against transients which exceed the permissible input voltage of the inputs.

Driver chips are used for the digital outputs which provide integrated protection against short circuit, overload and thermal destruction.

LEDs and terminations

The Converter has 16 LEDs for displaying the respective I/O status, a *Power* LED which indicates correct supply voltage to the device, and a *Link* LED for indicating errorless function of the fiber optic connection.

The configuration of the signal and power connectors and interface wiring can be found on the label and in the following illustration:



Input supply voltage

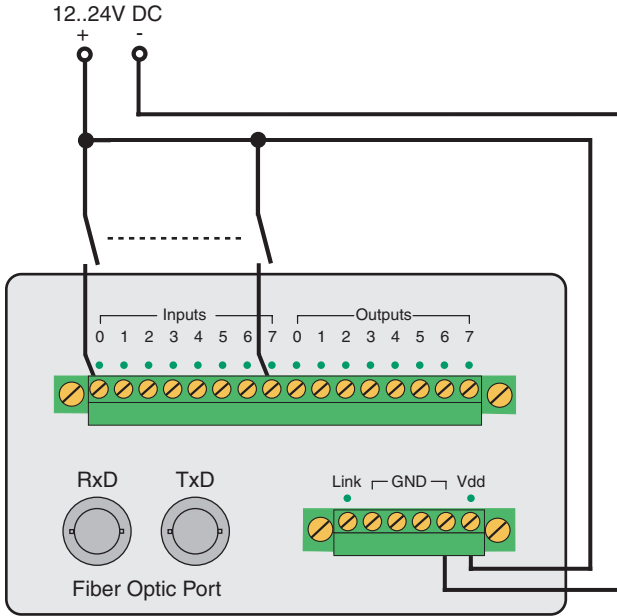
The DC supply voltage is connected to Vdd (+) and GND (-) on the 6-pin terminal on the front panel. Vdd supplies the interface electronics as well as the digital switching outputs. Any DC voltage between 8V and 30V may be used.

Take care not to reverse the polarity of the supply voltage or to use AC voltage!



Digital Inputs

The basic wiring of the inputs for the Digital-I/O Extender Set can be seen in the following illustration:

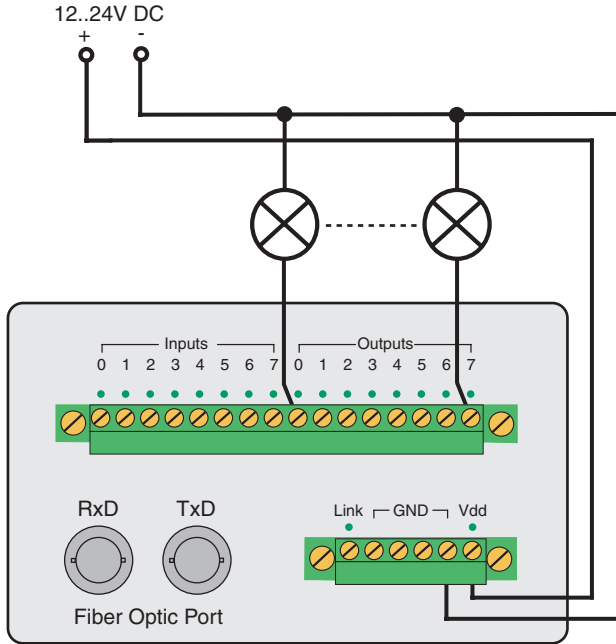


The digital inputs of the Digital-I/O Extender Set 17634 are „Type 3“ according to IEC 61131-2 and have a maximum input voltage of 30V with respect to the device reference ground.

The lines to the digital inputs should not be longer than necessary.

Digital Outputs

The basic wiring of the switching outputs for the Digital-I/O Extender Set can be seen in the following illustration:



The digital outputs of the Digital-I/O Extender Sets are current sourcing and apply the voltage brought to Vdd to the output terminals. Each of the outputs can switch a maximum current of 0.5A. If loads with an inductive component (e.g. relays, contactors, solenoids etc.) need to be switched, the outputs must be additionally protected using recovery diodes.



The outputs have thermal overload protection and are short circuit protected. In the OFF state a very low current of approx. 10µA is used to check whether the outputs are switched to a load. If LEDs are connected to the outputs, this can result in a slight glow even in the rest state.

Cable break response

The functionality of the glass fiber optic connection is cyclically monitored by a special safety communications protocol. The status of the connection is indicated by the *Link* LED and by a signal on the *Link* switching output.

An 8x DIL switch is provided on the top side of the unit for configuring the cable break response, whereby the status of the outputs when the fiber optic connection is interrupted can be set for each individual output. The arrangement of the DIL switches and output can be found on the label on the top side of the unit.

The factory default setting is for all switches in the *Off* position. If this setting is not changed, all the digital outputs on the unit will turn off when the fiber optic connection is interrupted.

This response can be inverted by setting the DIL switch associated with an output to ON. This setting can be made individually for each of the eight outputs.

Technical Data

Transmitted signals:	8x Digital In, 8x Digital Out
Digital-I/O connector:	16-pin plug-in screw terminal
Digital outputs:	8 outputs, 6V-30V, 0.5A, Short circuit protected
Digital inputs:	8 inputs acc. to IEC61131-2, type 3
Input voltage:	max. 30V
Signal delay:	Input to output: max. 20ms
Glass fiber connector:	ST connectors (SMA on request)
Fiber medium:	Duplex multimode glass fiber cable
Transmitter type:	LED
Wavelength:	820 nm
Optical budget:	50/125 μ m: typ. 9.6dB, min. 4,2dB 62.5/125 μ m: typ. 13.4dB, min. 8.0dB
Maximum distance:	50/125 μ m: typ. 3200m, min. 1400m @3dB/km 62.5/125 μ m: typ. 3800m, min. 2200m @3.5dB/km
Supply voltage:	8..30V DC
Current draw:	typ. 20 mA at 12V DC
Temperature range:	Storage: -40..+70°C Operating: 0..+70°C
Humidity range:	5..90% rH (non condensing)
Life expectancy:	> 25 years (@25°C ambient temp.)
Housing:	Plastic housing for DIN rail mount
Dimensions:	105x75x45mm
Weight:	approx. 300 g
Scope of delivery:	1x Digital-I/O Extender Set 8x8 Multimode ST

Digital-I/O Extender Set 8x8, Model 17635**Function**

The W&T Digital-I/O Extender Set 8x8, Model 17635 enables sending of up to 16 digital I/O signals over a singlemode glass fiber optic cable.

The set consists of two digital-I/O <> glass fiber optic converters and supports eight I/O channels in each direction. A special safety communications protocol between the converters is used for transmitting over the glass fiber optic cable, so that the converters can only be used in pairs.

System security

The W&T Digital-I/O Extender Set 8x8 is a full hardware implementation, so that the risk of a malfunction caused by hidden firmware errors or a system crash is precluded.

The functionality of the glass fiber optic connection is cyclically monitored. The status of the connection is indicated by an LED and by a signal on a switching output. In addition, the default status of the digital outputs should the fiber optic line fail can be individually configured for each output.

Power Supply

The converters have a common power supply for the interface electronics and the digital outputs. The electronics is supplied by an integrated switching regulator with a wide-range input, so that the device can be operated at any desired voltage between 8 and 30V DC. AC powering is not possible. The supply voltage is brought to the front-mounted 6-pin plug-in panel connector on terminals Vdd and GND.



Galvanic isolation

The amount of galvanic isolation between the two converters and thereby between the I/O end points is determined solely by the length of the fiber optic cable and the interface supply voltage.

Housing and arrangement of the operating elements

The W&T Digital-I/O <> Fiber Optic Converters are housed in a 45mm wide plastic enclosure for mounting on DIN rails. All connectors and LEDs are located on the front panel of the units so that they are accessible when installed. The DIP switches for configuring the default state upon cable break is located on the top of the unit and can be set without opening the housing.

Glass Fiber Interface

Common SC connectors are used for connecting the singlemode glass fiber optic cable.

The light used for data transmission has a wavelength of 1310 nm. Common 9/125 μm singlemode duplex glass fiber optic cable is used, which thanks to its wide use in networking is easily available and inexpensive. This means that even existing glass fiber optic sections which are intended for use in networks can be used for sending digital signals. Depending on the attenuation factor of the glass fiber optic cable used, data transmission over distances of up to 20 km is possible.

Digital-I/O Port

The Digital-I/O-Port is configured as a plug-in 3.5mm terminal block so that the connected in- and outputs can be disconnected from the signal converter at any time without having to unscrew anything.

All digital inputs use overvoltage-rated components to protect against transients which exceed the permissible input voltage of the inputs.

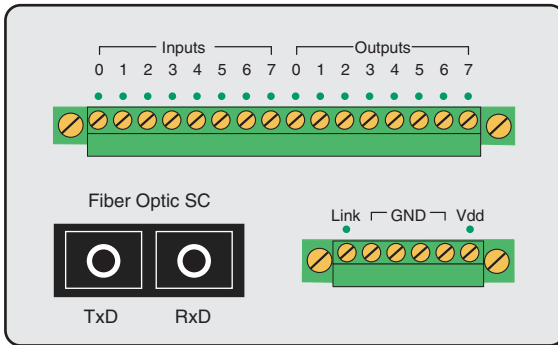
Driver chips are used for the digital outputs which provide integrated protection against short circuit, overload and thermal destruction.



LEDs and terminations

The Converter has 16 LEDs for displaying the respective I/O status, a *Power* LED which indicates correct supply voltage to the device, and a *Link* LED for indicating errorless function of the fiber optic connection.

The configuration of the signal and power connectors and interface wiring can be found on the label and in the following illustration:



Input supply voltage

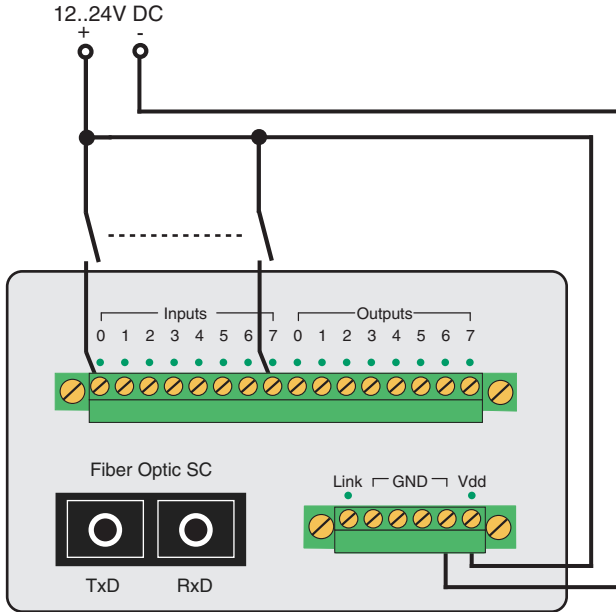
The DC supply voltage is connected to Vdd (+) and GND (-) on the 6-pin terminal on the front panel. Vdd supplies the interface electronics as well as the digital switching outputs. Any DC voltage between 8V and 30V may be used.

Take care not to reverse the polarity of the supply voltage or to use AC voltage!



Digital Inputs

The basic wiring of the inputs for the Digital-I/O Extender Set can be seen in the following illustration:

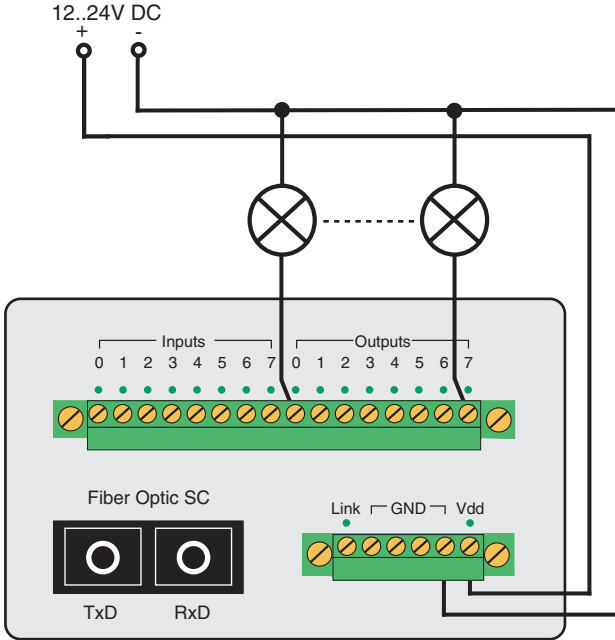


The digital inputs of the Digital-I/O Extender Set 17635 are „Type 3“ according to IEC 61131-2 and have a maximum input voltage of 30V with respect to the device reference ground.

The lines to the digital inputs should not be longer than necessary.

Digital Outputs

The basic wiring of the switching outputs for the Digital-I/O Extender Set can be seen in the following illustration:



The digital outputs of the Digital-I/O Extender Sets are current sourcing and apply the voltage brought to Vdd to the output terminals. Each of the outputs can switch a maximum current of 0.5A. If loads with an inductive component (e.g. relays, contactors, solenoids etc.) need to be switched, the outputs must be additionally protected using recovery diodes.



The outputs have thermal overload protection and are short circuit protected. In the OFF state a very low current of approx. 10µA is used to check whether the outputs are switched to a load. If LEDs are connected to the outputs, this can result in a slight glow even in the rest state.

Cable break response

The functionality of the glass fiber optic connection is cyclically monitored by a special safety communications protocol. The status of the connection is indicated by the *Link* LED and by a signal on the *Link* switching output.

An 8x DIL switch is provided on the top side of the unit for configuring the cable break response, whereby the status of the outputs when the fiber optic connection is interrupted can be set for each individual output. The arrangement of the DIL switches and output can be found on the label on the top side of the unit.

The factory default setting is for all switches in the *Off* position. If this setting is not changed, all the digital outputs on the unit will turn off when the fiber optic connection is interrupted.

This response can be inverted by setting the DIL switch associated with an output to ON. This setting can be made individually for each of the eight outputs.

Technical Data

Transmitted signals:	8x Digital In, 8x Digital Out
Digital-I/O connector:	16-pin plug-in screw terminal
Digital outputs:	8 outputs, 8V-30V, 0.5A, Short circuit protected
Digital inputs:	8 inputs acc. to IEC61131-2, type 3
Input voltage:	max. 30V
Signal delay:	Input to output: max. 20ms
Glass fiber connector:	SC/PC connectors
Fiber medium:	Duplex singlemode glass fiber cable 9/125 μ m
Transmitter type:	Class 1 Laser Product
Wavelength:	1310 nm
Output power:	min. -12dBm, max. -8dBm
Receiver sensitivity:	max. -22dBm
Maximum input power:	max. -3dBm
Optical budget:	min. 10dB
Maximum distance:	min. 20km @0,35dB/km (40km on request)
Supply voltage:	8..30V DC
Current draw:	typ. 30 mA at 12V DC
Temperature range:	Storage: -40..+70°C Operating: 0..+70°C
Humidity range:	5..90% rH (non condensing)
Life expectancy:	> 25 years (@25°C ambient temp.)
Housing:	Plastic housing for DIN rail mount
Dimensions:	105x75x45mm
Weight:	approx. 300 g
Scope of delivery:	1x Digital-I/O Extender Set 8x8 Singlemode SC